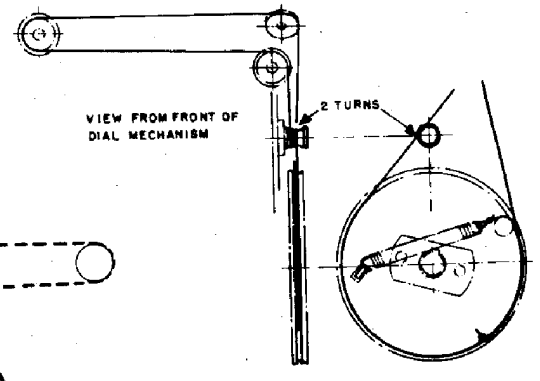
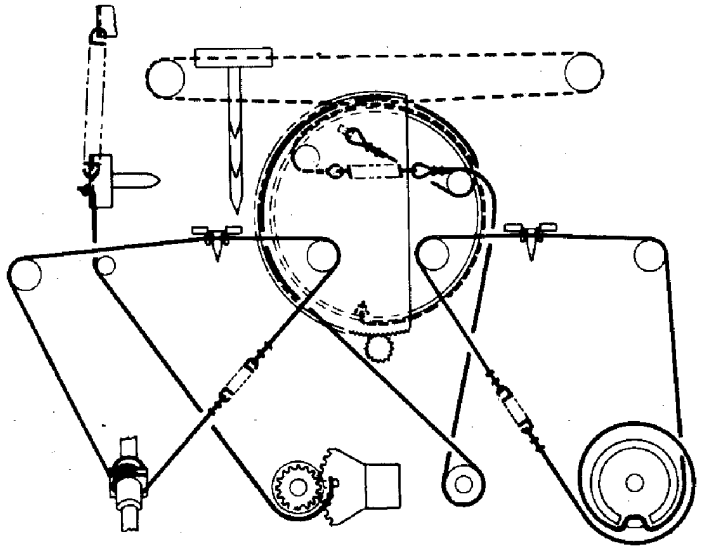


Volume Control Motor Mounting

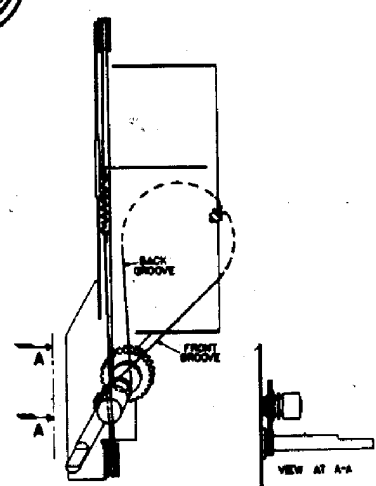
202



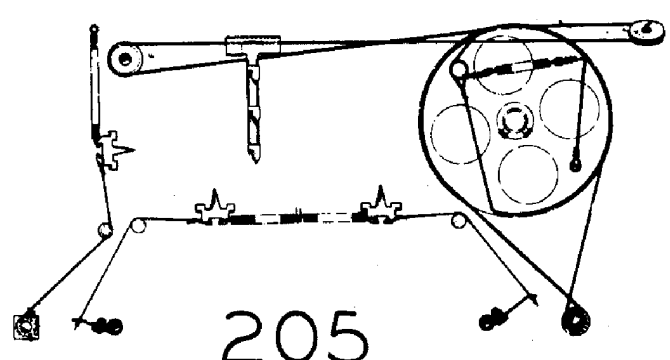
203



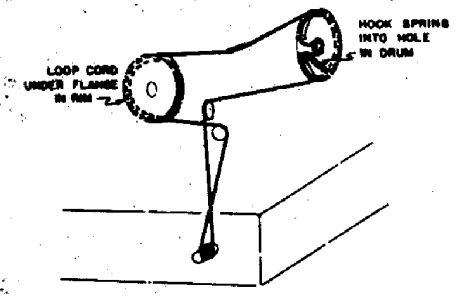
204



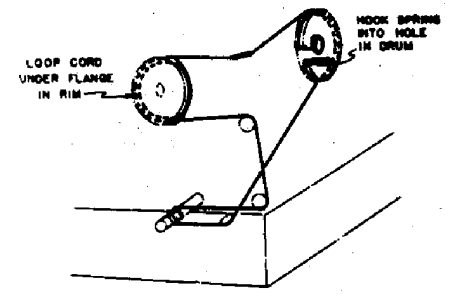
206



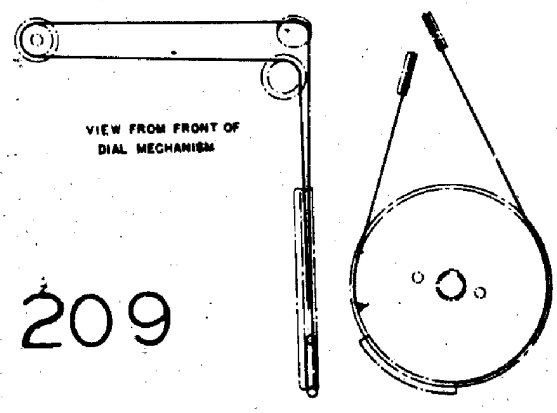
205



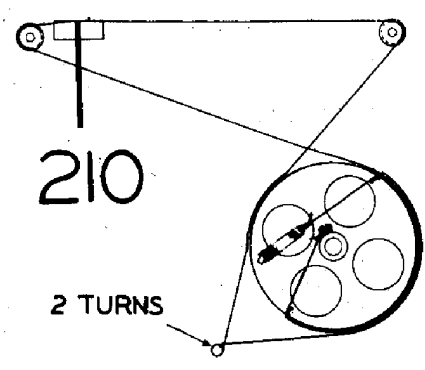
207



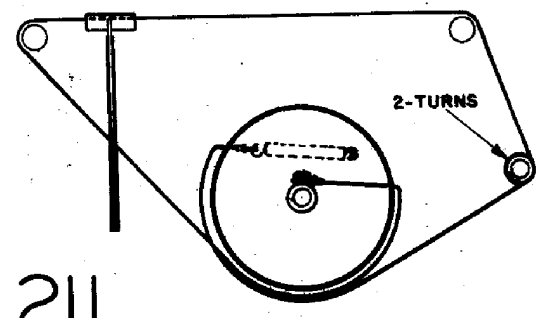
208



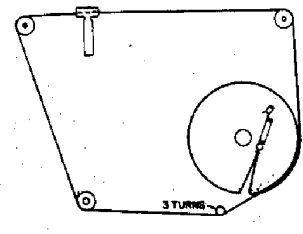
209



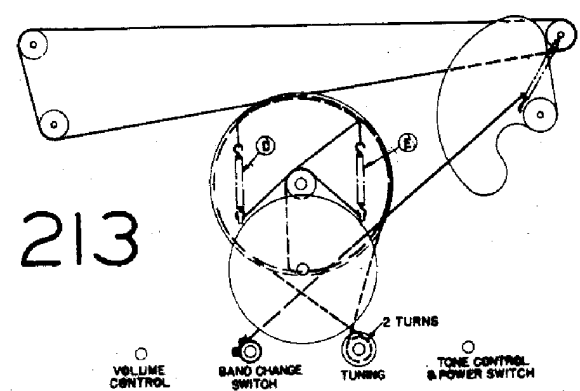
210



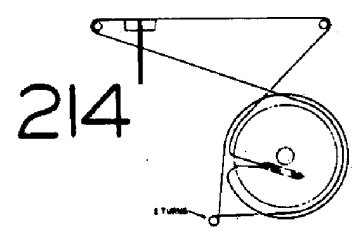
211



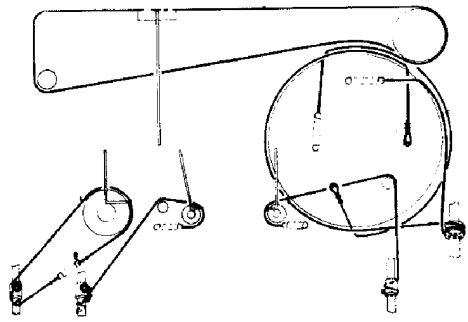
212



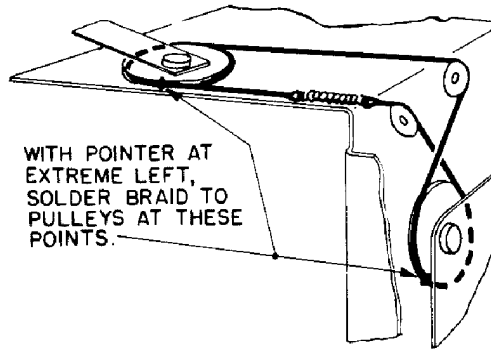
213



214

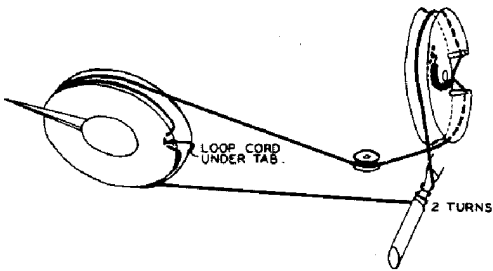


215

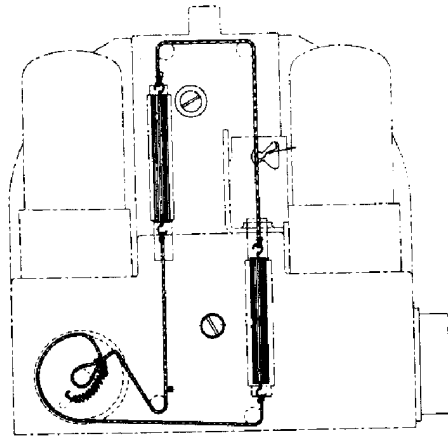


WITH POINTER AT
EXTREME LEFT,
SOLDER BRAID TO
PULLEYS AT THESE
POINTS.

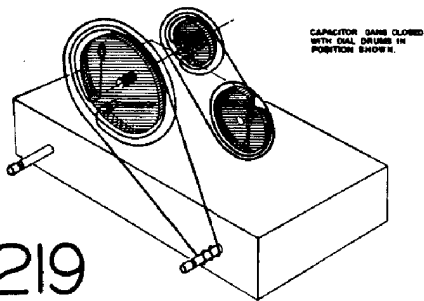
216



217

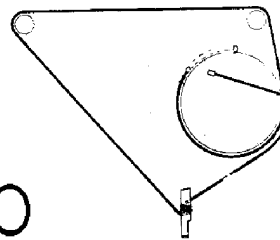


218

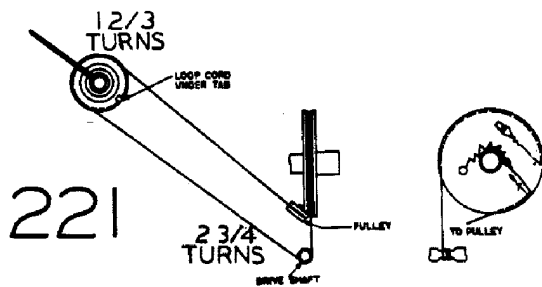


CAPACITOR GEAR CLOSED
WITH GEAR DRIVEN IN
POSITION SHOWN.

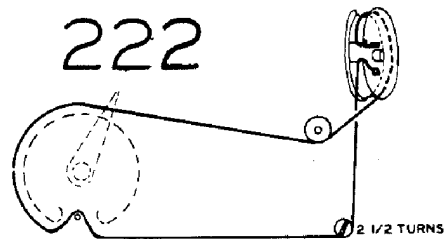
219



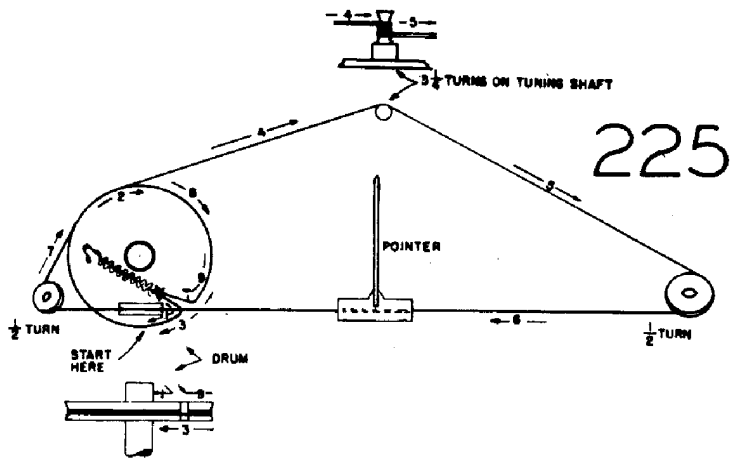
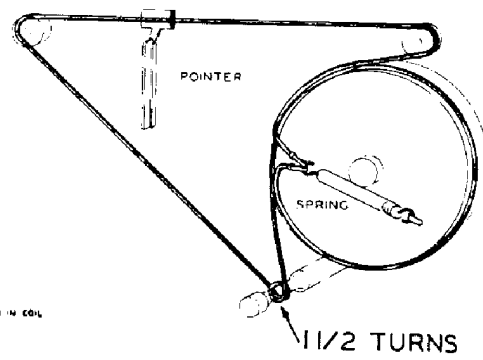
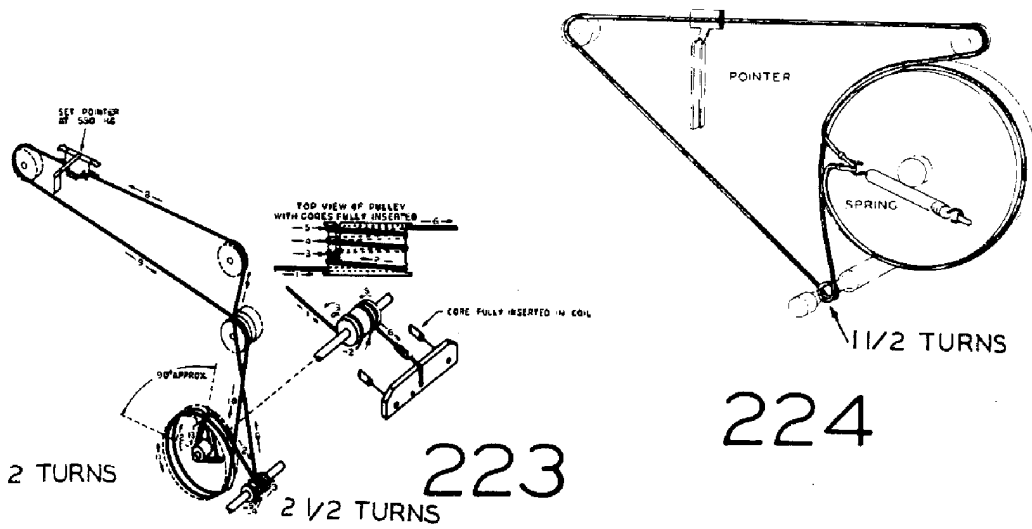
220



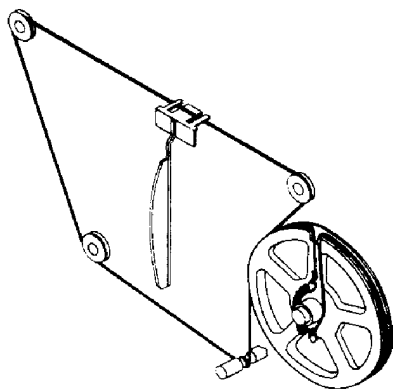
221



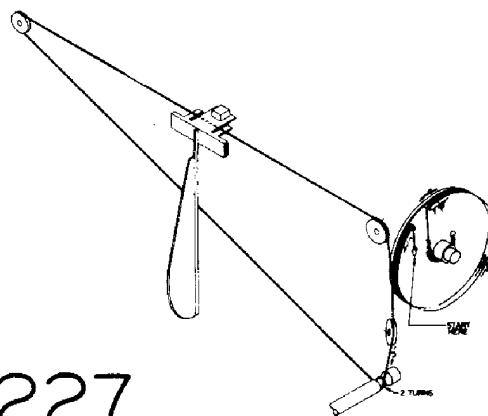
222

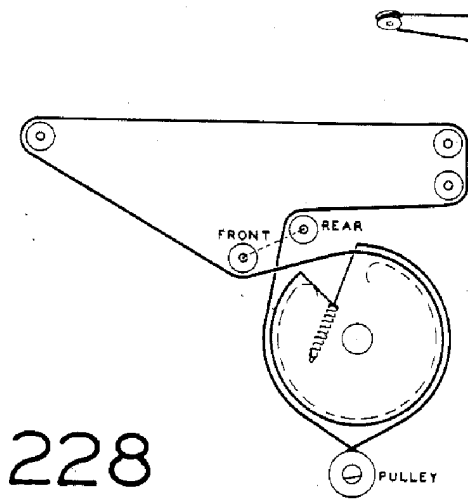


226

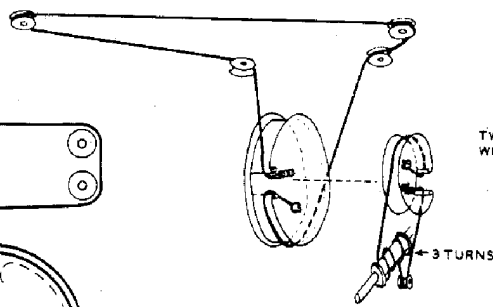


227



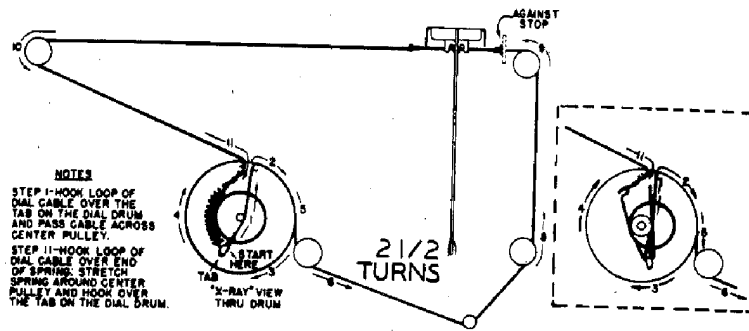


228



TWO DRUMS ON SHAFT WITH SEPARATE CORDS

229

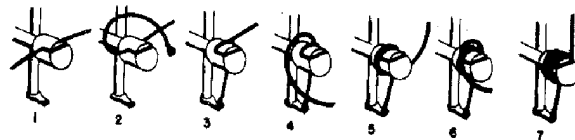


NOTES
 STEP I-HOOK LOOP OF DIAL CABLE OVER THE TAB ON THE DIAL DRUM AND PASS CABLE ACROSS CENTER PULLEY.
 STEP II-HOOK LOOP OF DIAL CABLE OVER END OF SPRING, STRETCH SPRING AROUND CENTER PULLEY AND HOOK OVER THE TAB ON THE DIAL DRUM.

START HERE
 TAB
 "X-RAY" VIEW THRU DRUM

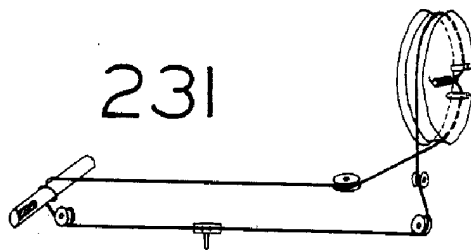
2 1/2 TURNS

Dial Stringing Diagram Showing Later Production Spring at Right

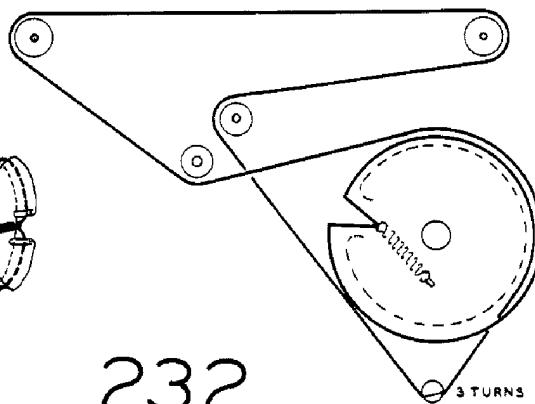


Elevator Window Stringing Procedure

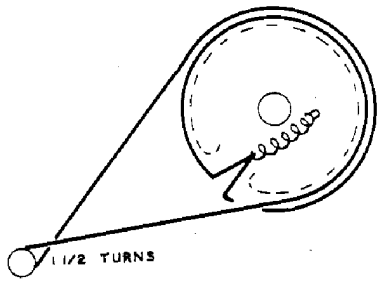
230



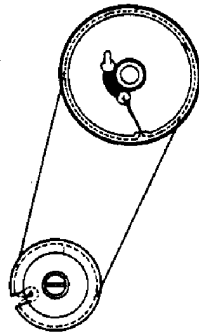
231



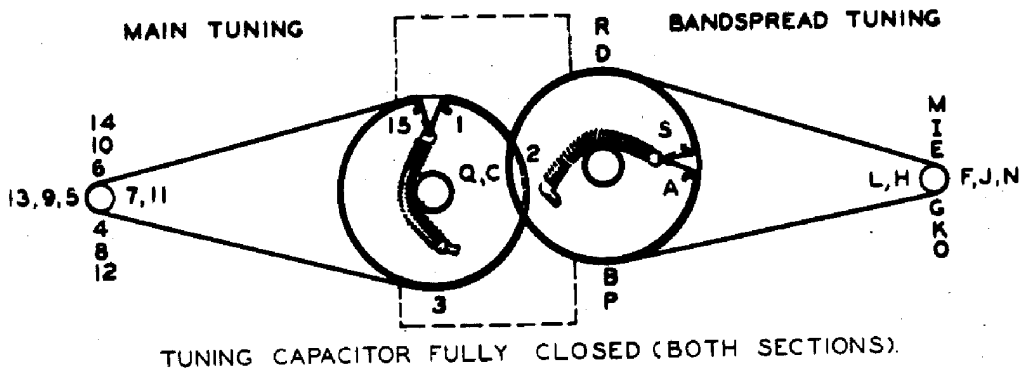
232



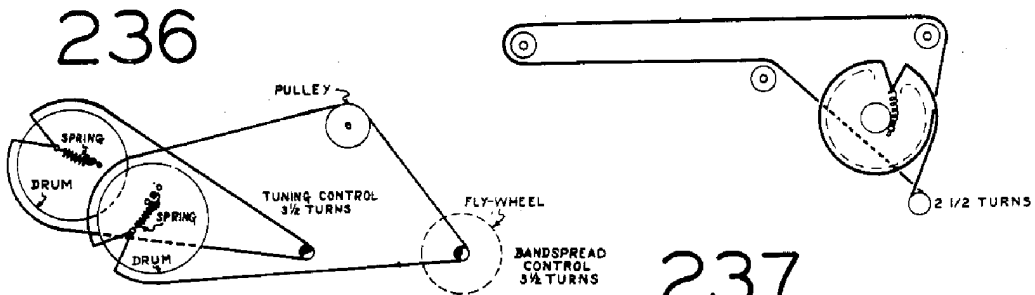
233



234

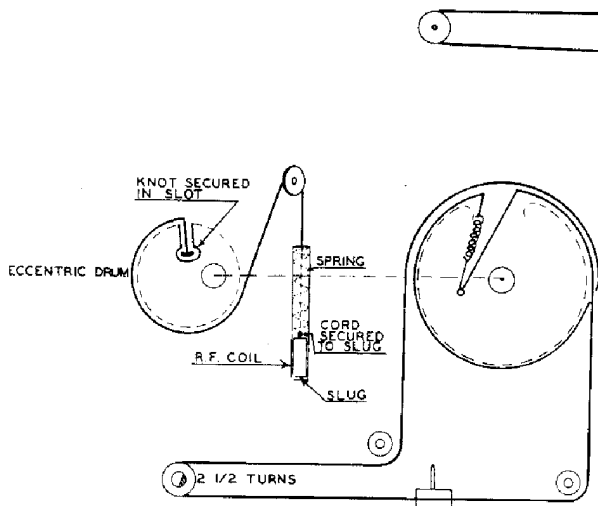


235

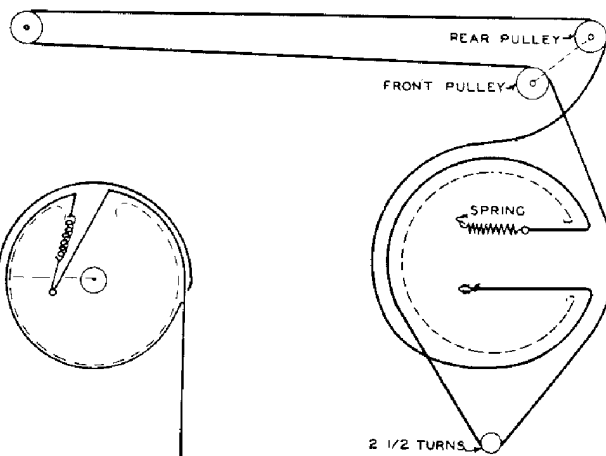


236

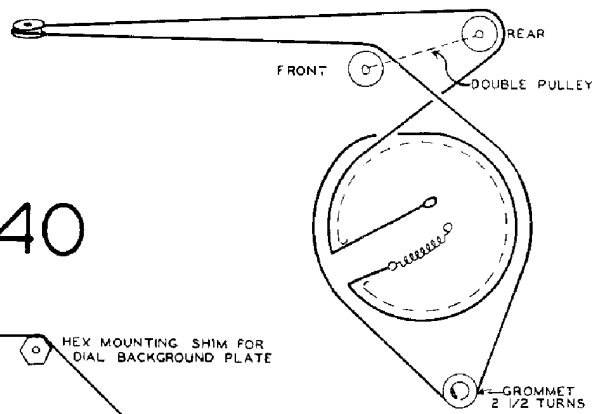
237



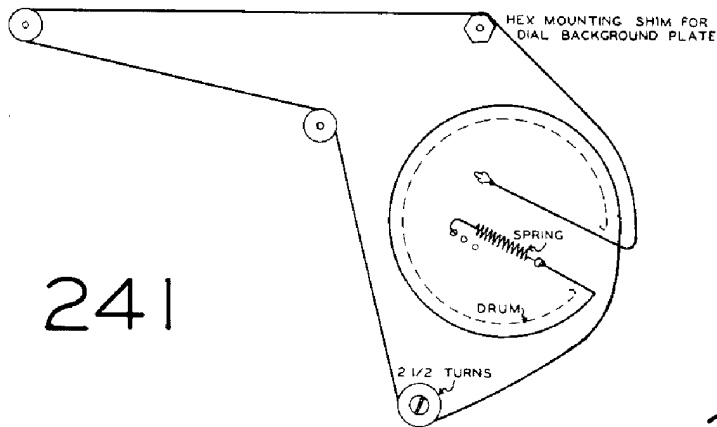
238



239

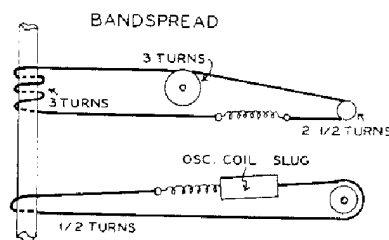
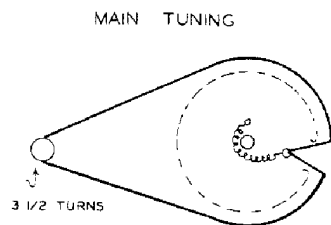


240



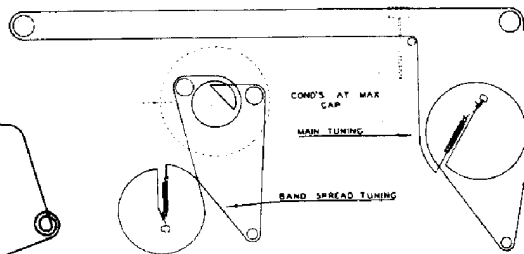
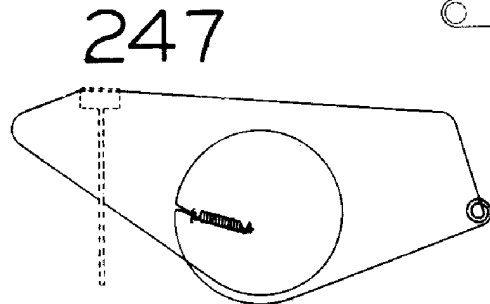
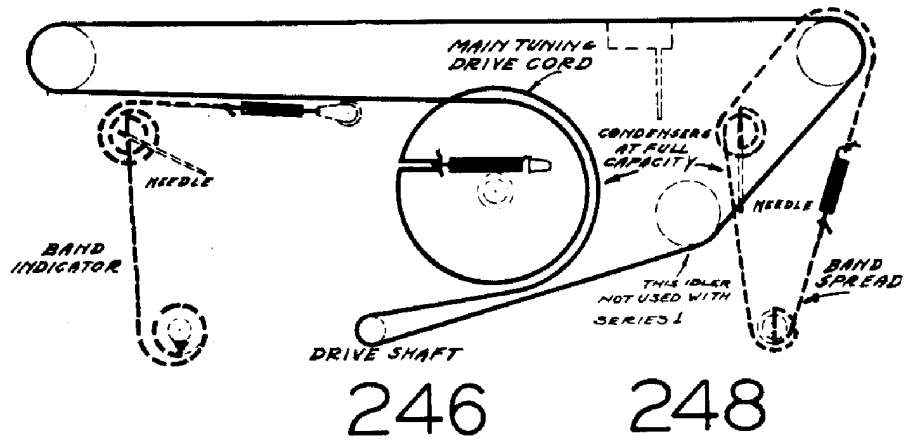
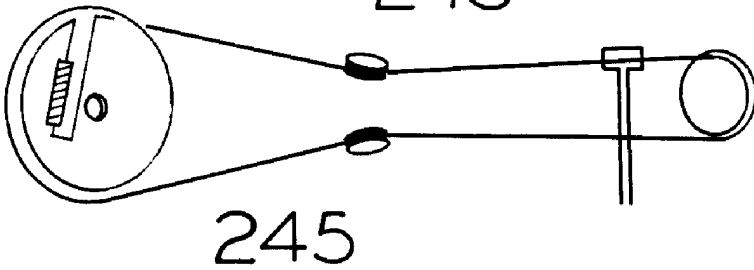
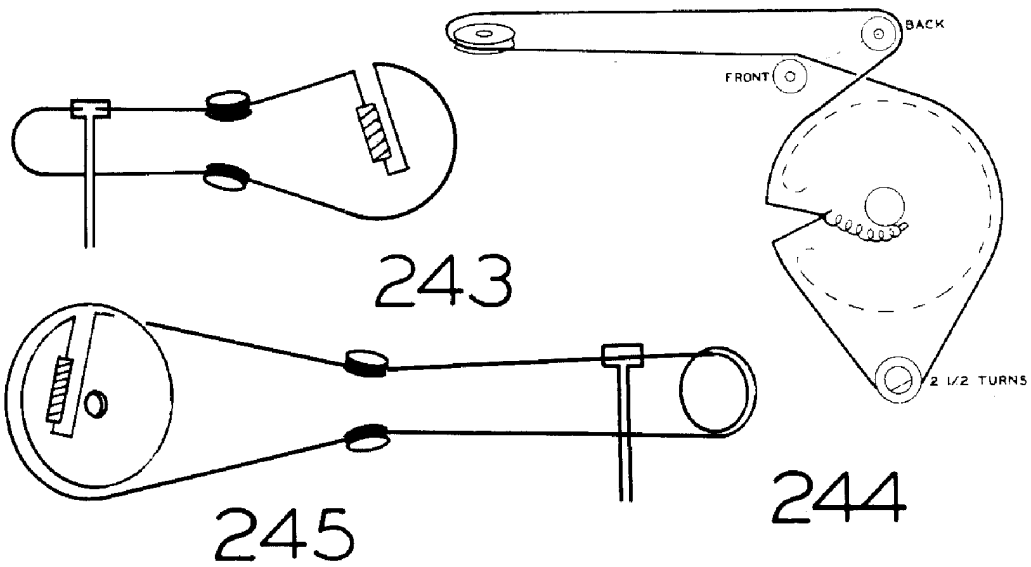
241

242

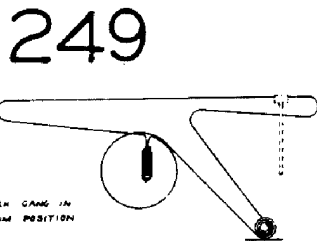


MAIN TUNING

BANDSPREAD



CONDENSER GANG IN
MAXIMUM POSITION



CONDENSER GANG IN
MAXIMUM POSITION

