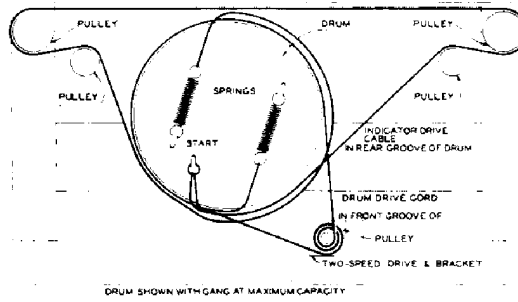
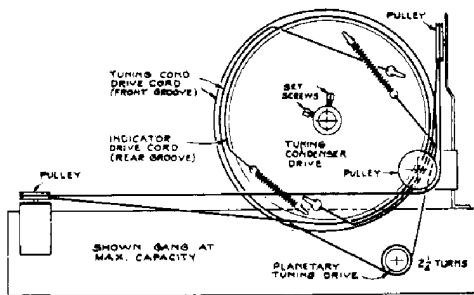


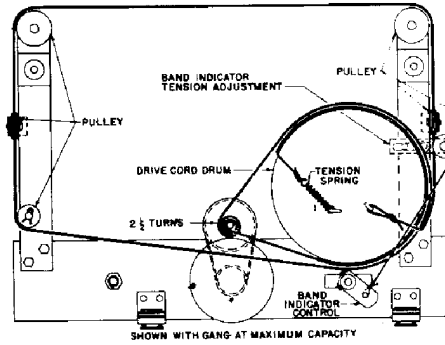
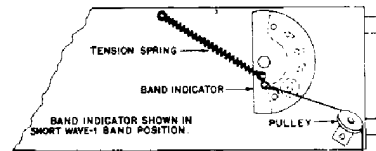
402



403

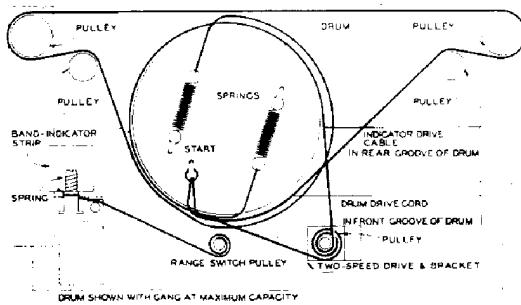


404

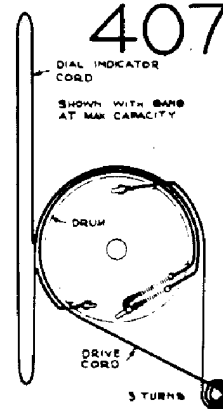


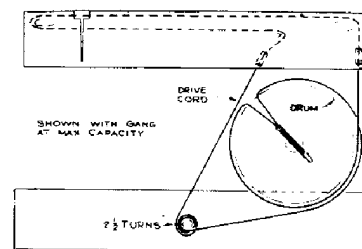
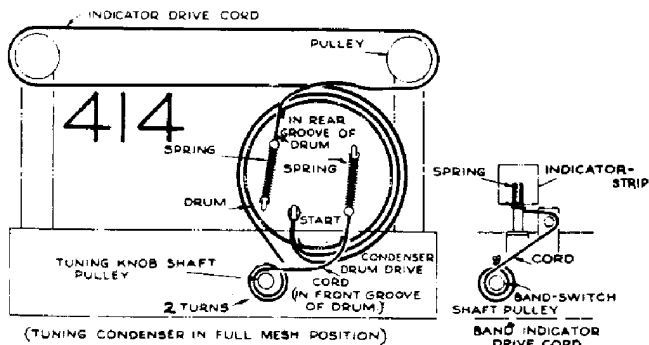
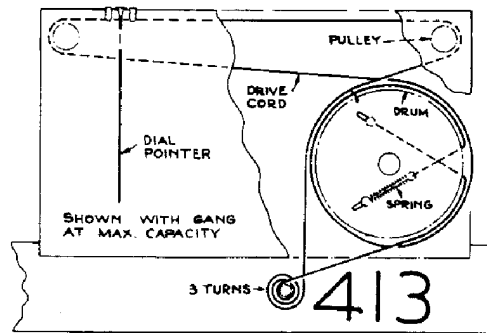
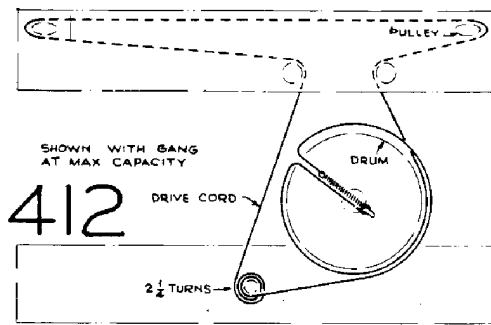
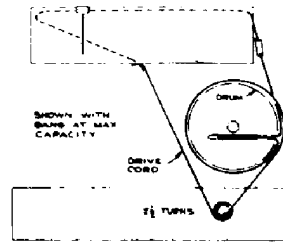
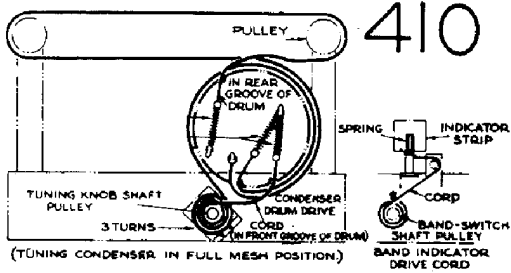
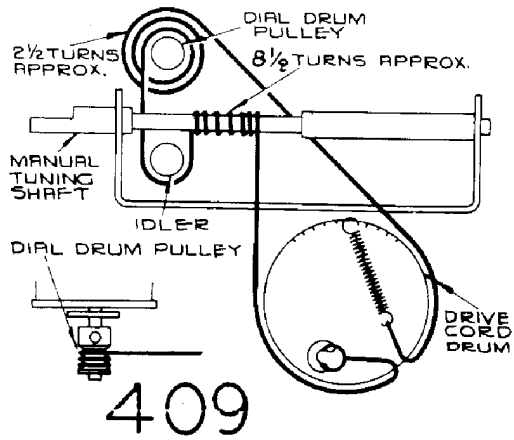
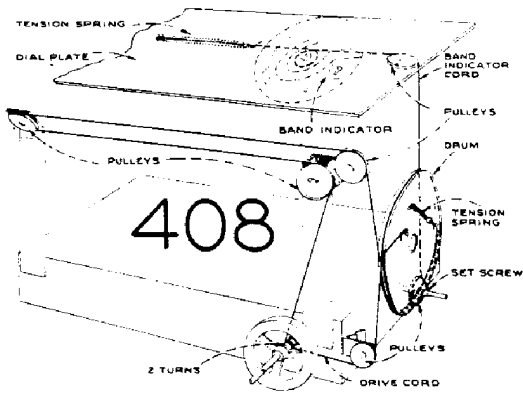
405

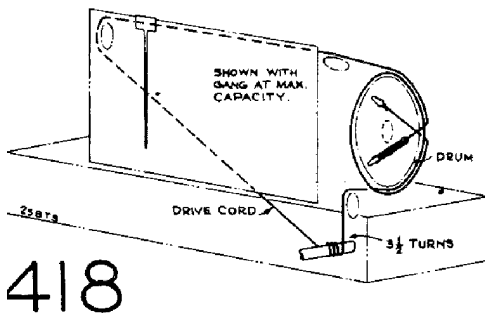
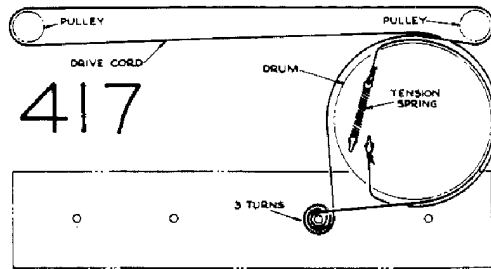
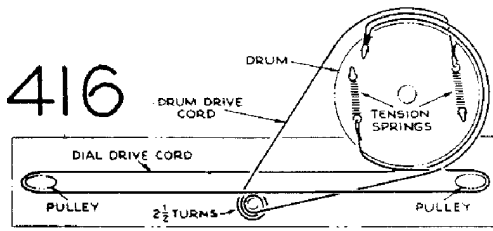
406



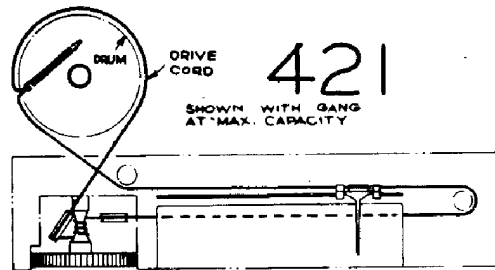
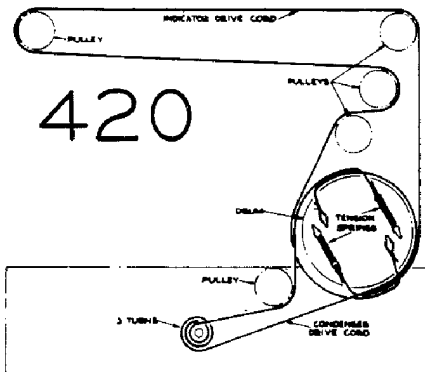
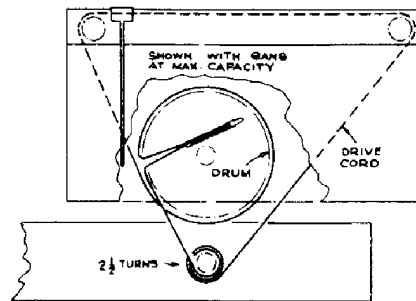
407



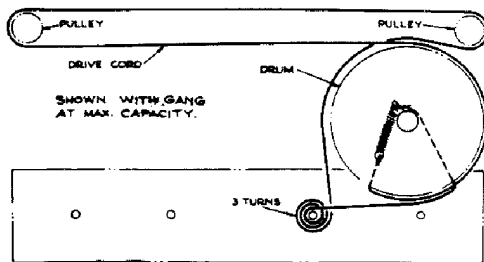




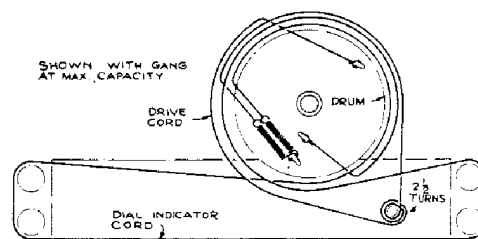
419

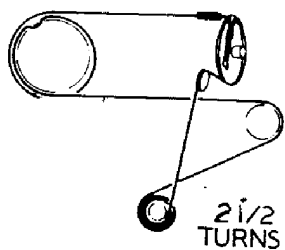


422

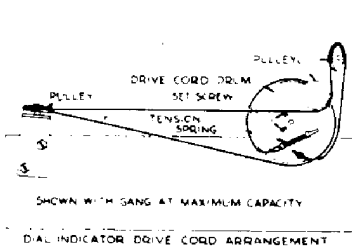


423

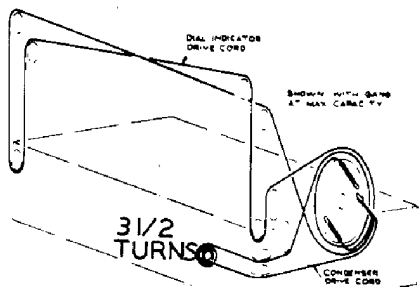
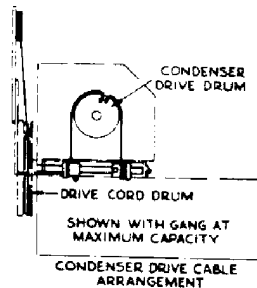




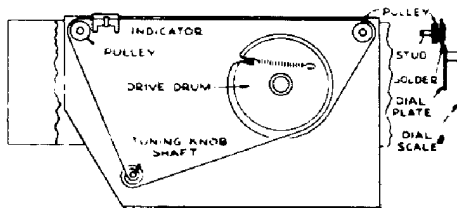
424



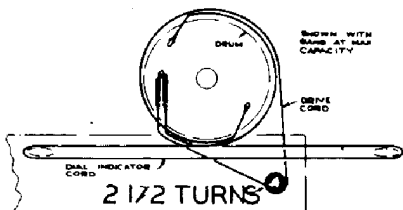
425



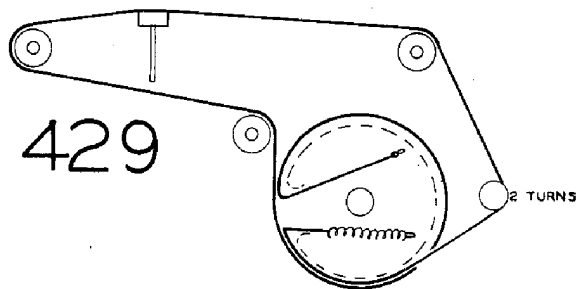
426



427

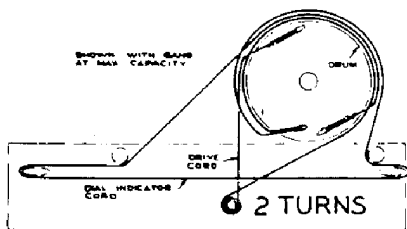


428

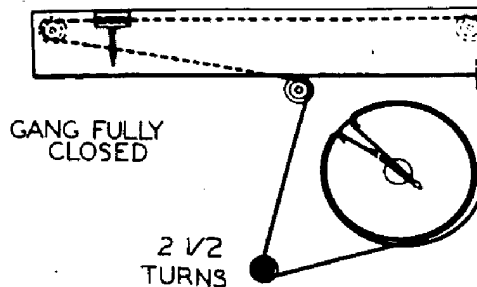


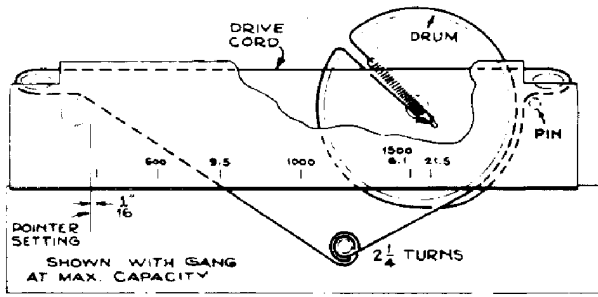
429

430

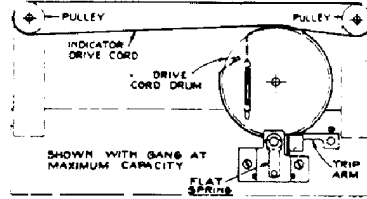
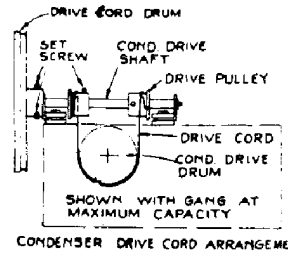


431

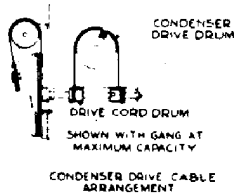




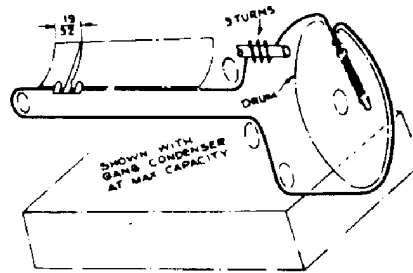
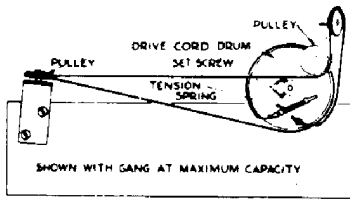
432



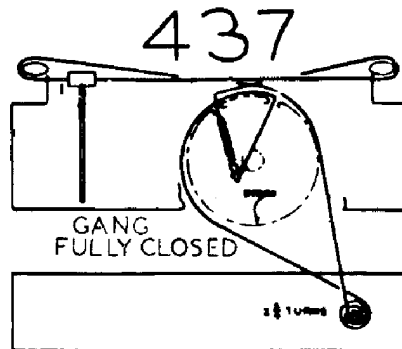
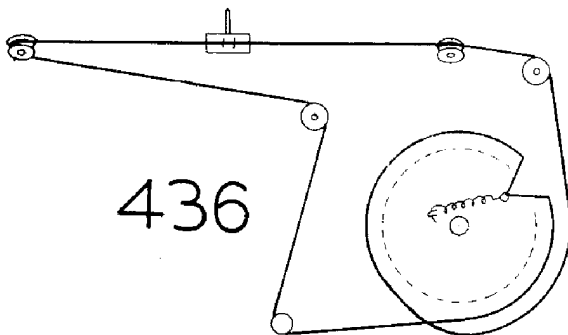
434



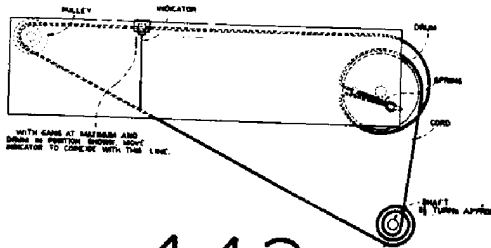
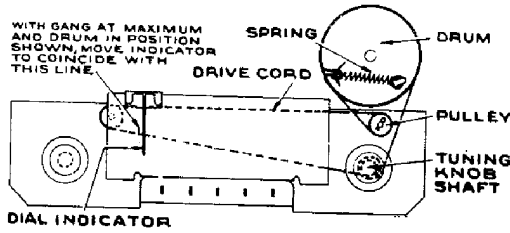
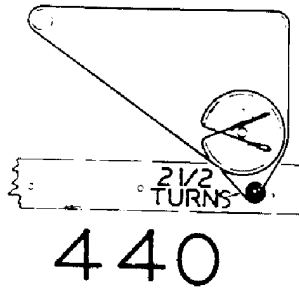
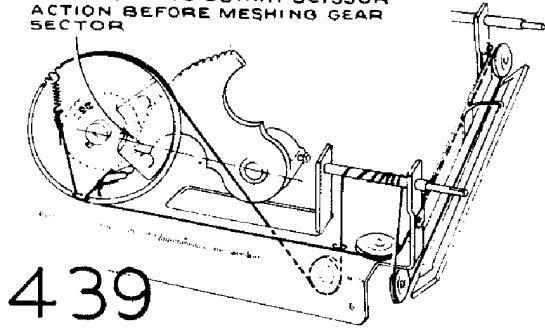
433



435

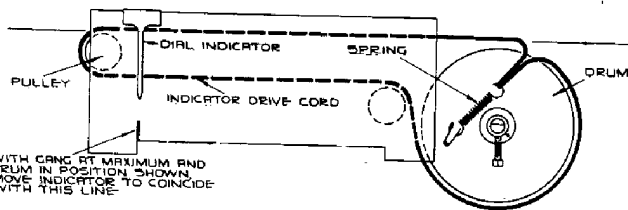


TURN FREE GEAR CLOCKWISE  
ONE TOOTH TO OBTAIN SCISSOR  
ACTION BEFORE MESHING GEAR  
SECTOR



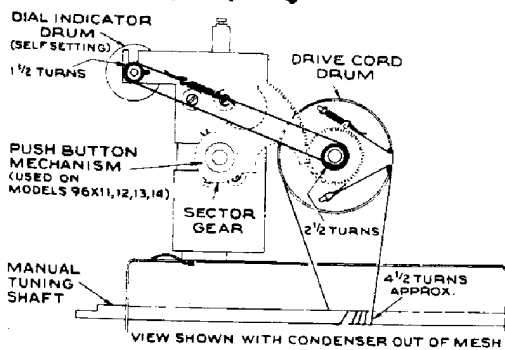
441

442

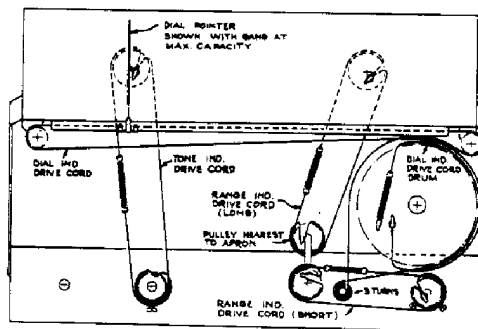


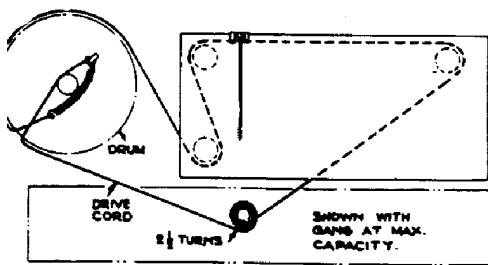
443

444

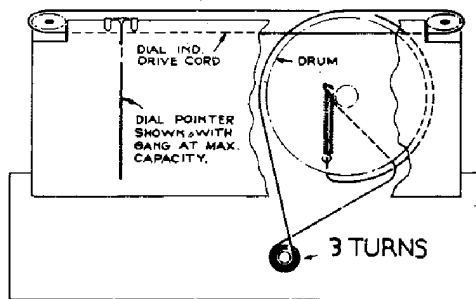


445

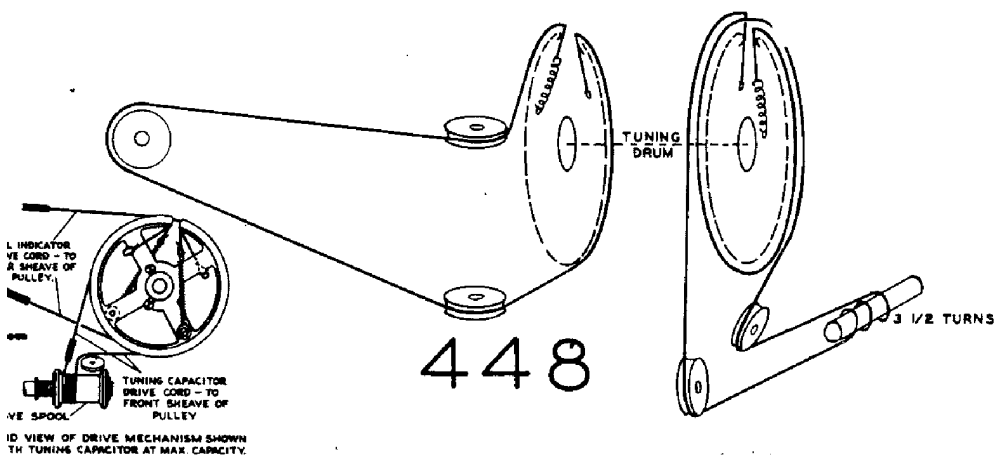




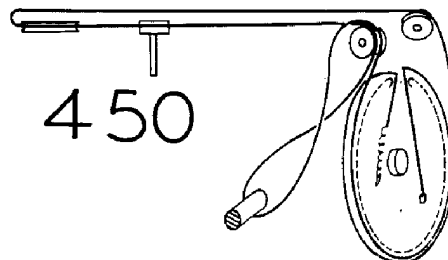
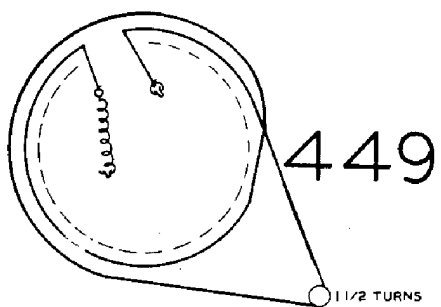
446



447



448



450